

BriteCor AC Direct BVT Vapor Tight Installation Manual



Proudly Made in the USA
of US and imported parts



BVT BriteCor Vapor Tight Installation Manual

NOTES

- WARNING – Risk of fire or electric shock.
- WARNING - It is recommended that installation be performed by a certified electrician.
- All electrical connections must be in compliance with local codes, ordinances or the national electrical code (NEC). Contact your municipal building department to learn about your local codes, permits and/or inspections.
- Do not connect this Luminaire to an electrical system that does not provide means for equipment grounding. Never use a fixture in a two-wire system that is not grounded.
- If dimming functionality is included, use only with LiteSheet approved dimmers.
- Do not use excessive force when manipulating cables and wires.
- WARNING – To prevent wiring damage or abrasion, do not pinch wires between surfaces.
- WARNING – Only connect Luminaire to the voltage indicated by the Luminaire label. It is intended for direct connection to this voltage. DO NOT connect to a different or unknown voltage.
- **CAUTION – Any modifications to the luminaire housing will void the IP rating.**
- **This luminaire is intended for direct mount to ceiling/beam, pendant mount, or 45 deg wall mount only. Wall mount only with 45 deg bracket lens facing down. DO NOT direct wall mount or face lens upward.**

CONTENTS OF KIT

- BVT /BVTG3 vapor tight luminaire
- Mounting brackets (sold separately)
- Draft gasket/shims (sold separately)

Document #: 11-00027	Rev: D	Date: 4/13/2022
----------------------	--------	-----------------

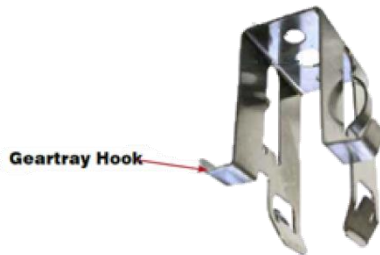
LiteSheet Solutions

Preparation

1. Turn off power source.
2. Remove luminaire from box.

Installation

When installing the fixture, the clips can be used to hold the gear tray in place as shown here:



Installation (Cont.)

1. Remove Lens.
2. Remove gear tray.

FOR HARDWIRE APPLICATIONS

1. Install watertight/IP rated fitting through preformed knock-out (do not drill other holes in housing or the wet location and all IP/NEMA ratings are nullified.) Rigid conduit connections require draft gasket/shims (see Installation Options section.)
2. For direct ceiling, beam, or pendant mount, attach ceiling brackets to surface. Attach cables or chain to mounting brackets if applicable. Use NEC approved hardware mounting techniques. For wall mounting, affix 45° mounting brackets (sold separately) to wall. **FIXTURE MUST BE MOUNTED AT 45°. DO NOT MOUNT FACING UP.** (See Installation Options section.)
3. Snap fixture into brackets, assure a positive grip of brackets over the lips on the long sides of the fiberglass housing.
4. Install IP rated conduit using IP rated fittings. Run wires into fixture.

Installation (Cont.)

FOR CORD PRE-INSTALLED APPLICATIONS

1. For direct ceiling, beam, or pendant mount, attach ceiling brackets to surface. Attach cables or chain to mounting brackets if applicable. Use NEC approved hardware mounting techniques. For wall mounting, affix 45° mounting brackets (sold separately) to wall. **FIXTURE MUST BE MOUNTED AT 45°. DO NOT MOUNT FACING UP.** (See Installation Options section.)
2. Snap fixture into brackets, assure a positive grip of brackets over the lips on the long sides of the fiberglass housing of the fixture.
3. Plug cord into IP rated, NEC approved junction box using appropriate methods required by local code.

WIRING LUMINAIRE AND FINAL STEPS

1. Attach green ground wire to ground screw on the gear tray.
2. Attach black wire to black port on luminaire disconnect
 - a. Must use 18 AWG wire or larger.

Installation (Cont.)

3. Attach white wire to white port on luminaire disconnect
 - a. Must use 18 AWG wire or larger.

4. IF ZT 0-10VDC DIMMING IS INCLUDED
Connect grey and purple ZT (0-10VDC) dimming wires to incoming 0-10VDC wires.
 - a. Purple – Positive (+)
 - b. Grey – Negative (-)

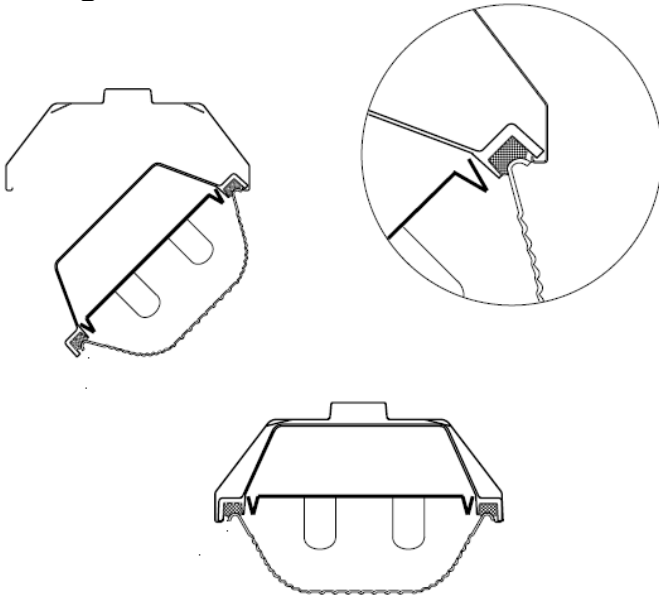
NOTE: Keep AC main power wires away from the 0-10VDC wires.

5. Replace gear tray and assure that the clips are firmly seated on the tray.

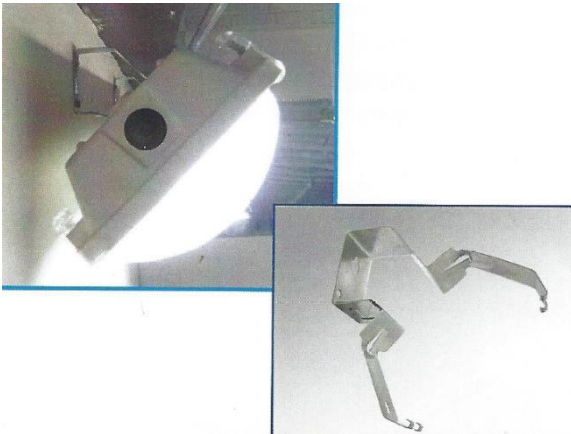
6. Replace lens. Ensure lens is seated center in the gasket before fastening the latches.

Installation Options

Ceiling Bracket



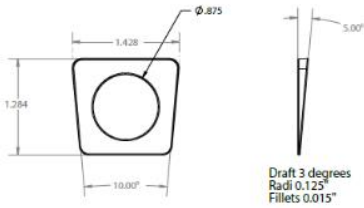
45° Wall Bracket



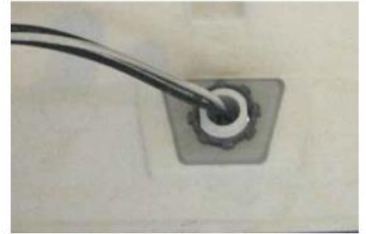
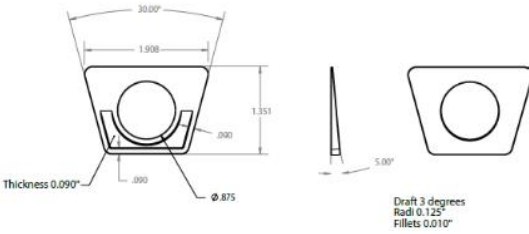
Installation Options (Cont.)

Draft Gasket/Shim

Gasket - Install on the outside of the housing



Shim - Install on the inside of the housing



For warranty information and technical support, contact us at:

434-446-1460

Find more great products at:

www.litesheet.com