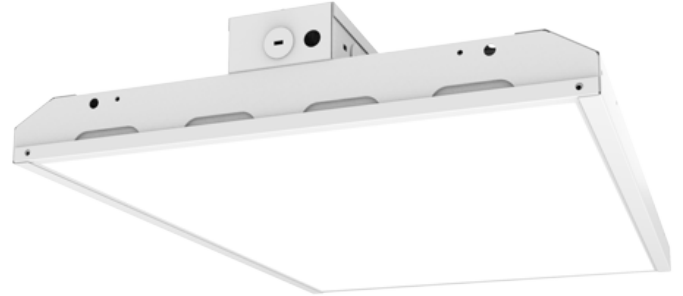


APPLICATIONS

The BFHBG3 is an innovative interior high bay lighting luminaire that delivers top-end performance packaged into a sleek form factor. This low-profile linear high bay luminaire offers commercial and industrial building owners an all-in-one solution for illuminating their facility while drastically reducing energy consumption to aid their bottom line. The BFHBG3 high bay luminaire features top-quality construction and a range of lumen packages that make it a versatile solution for commercial and industrial building owners looking to upgrade to next-generation LED technology. Using LiteSheet's patented BriteCor AC Direct Technology, the BFHBG3 provides an industry leading efficacy up to 152 lumens per watt.


FEATURES & BENEFITS

- ♦ BriteCor AC Direct technology - No DC power supply
- ♦ 15 year non-prorated warranty
- ♦ High Efficacy Up To 152 Lumens per Watt
- ♦ Input Voltage: 120, 277V, 60Hz
- ♦ Rugged and durable construction offers an IP54 rating
- ♦ Luminaire features durable, matte white finish
- ♦ Various mounting options available including suspension, pendant, and surface mount. V-hook hangers and chain accessories available.
- ♦ ETL Certification: UL8750
- ♦ Optional 0-10V 3rd party compatible dimming
- ♦ L70 Projection: >200,000 hours
- ♦ Lowest total cost of ownership in the market. For TCO examples visit: <https://www.litesheet.com/total-cost-of-ownership>

ORDERING DATA
EXAMPLE: BFHBG3-4-90-2-4080-FR/ZT
BFHBG3 - Size - Wattages - Voltage(v) - Color Temp(CT)/CRI(80) - FR (lens) / Options - Factory Installed

 2 24" Length
 4 48" Length

Wattage 1 (W1)

 48 48 Watts/7296 Lumens
 64 64 Watts/9728 Lumens
 90 90 Watts/13680 Lumens
 120 120 Watts/18240 Lumens

Wattage 2 (W2)

 144 144 Watts/21888 Lumens
 180 180 Watts/27360 Lumens
 216 216 Watts/32832 Lumens
 240 240 Watts/36480 Lumens

Wattage 3 (W3) *4' Only

 270 270 Watts/41040 Lumens
 300 300 Watts/45600 Lumens
 324 324 Watts/49248 Lumens
 360 360 Watts/54720 Lumens

 1 120V
 2 277V

First 2 Digits Temp

 35 3500K
 40 4000K
 50 5000K

Second 2 Digits CRI

80 80 CRI

Dimming

 Blank None
 ZT 0-10V 3rd Party Compatible

Sensing

 Blank None
 OS Occupancy Sensor

Cable

 Blank None
 CS6 6' Cord 18/3
 CS8 8' Cord 18/3
 CS12 12' Cord 18/3
 WP6 6' Whip - MC
 WP12 12' Whip - MC

Emergency

 Blank None
 EM1 Emergency 500 Im
 EM12 Emergency 1200 Im

LiteSheet 0-10V Gen 3 Dimmer Recommended List	
Manufacturer	Model Number
Lutron	NTSTV-DV NOVA T
Lutron	DVSTV-453PH-WH
Leviton	DS710-10Z

Accessories and Mounting Options:

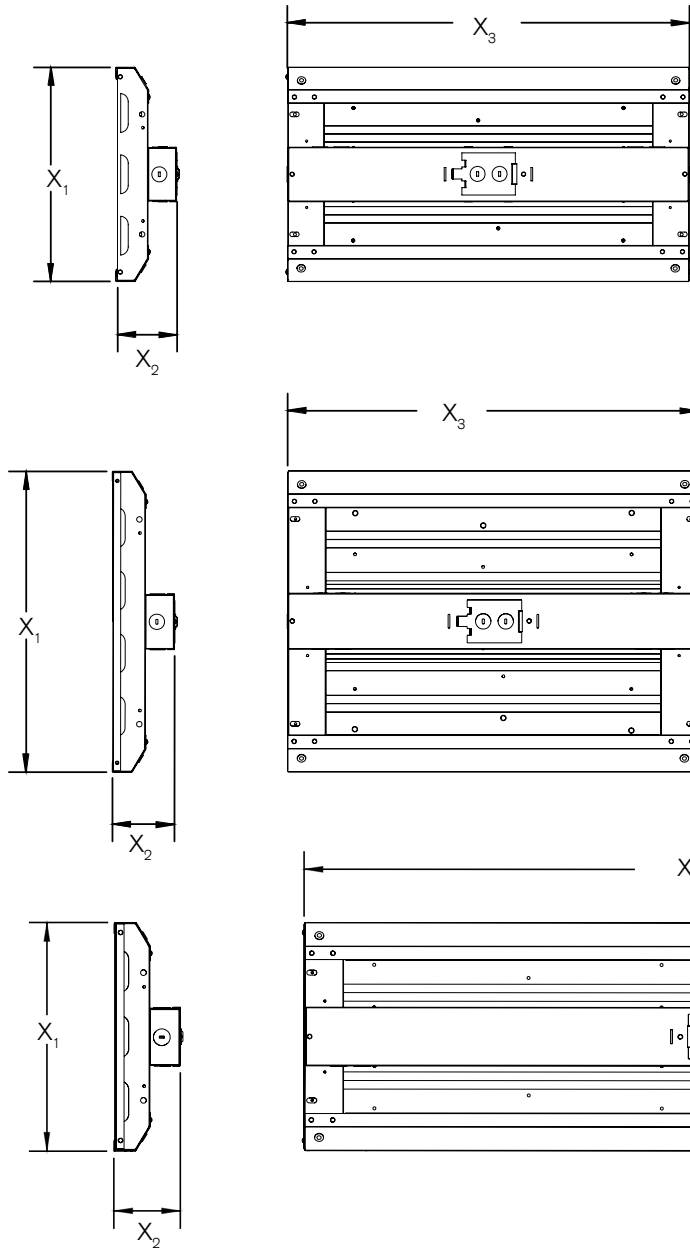
See Table on Page 3

Custom Wattages Also Available up to 360W (XXX)

NOTE: Actual performance may differ as a result of end-user environment and application. All values are design or typical values, measured under laboratory conditions. Specifications subject to change without notice. Production parts may vary based on configuration and availability. Options: Lead times will vary based on options and product configuration. Consult with your sales representative.



Dimensions



	Inches		
	Up to 120W Version	Up to 240W Version	Up to 360W Version
X₁	12.66	17.37	12.69
X₂	3.62	3.62	3.69
X₃	23.81	23.81	45.87





Accessories (Ordered and Shipped Separately)

OPTIONS

DHL-LP-WG-2-4L-H	2' Wire guard for DHL-LP High bay (120W Max Housing)
DHL-LP-WG-2-6L-H	2' Wire guard for DHL-LP High bay (240W Max Housing)
DHL-LP-WG-4-3L-H	4' Wire guard for DHL-LP High bay (360W Max Housing)

MOUNTING

DHL-LP-HOOK-2-4L-H	V HOOK Mounting Kit High-bay Flat Panel (2 per) (120W and 360W Max Housing)
DHL-LP-HOOK-2-6L-H	V HOOK Mounting Kit High-bay Flat Panel (2 per) (240W Max Housing)
DHL-LP-CHAIN-1M-H	Mounting Chain For High-bay Flat Panel, 36" (Must Be ordered with V-HOOK)
DHL-LP-CENTER BOX-H	Mounting Center Box For High-bay Flat Panel 20 Gua. (For Stem Use)
S12 (Part#290125 & C545Wht)	12" 3/8" IPS Stem Gloss White (5/8" OD) (Must be ordered w/ DHL-LP-CENTER BOX)
S18 (Part#290138 & C545Wht)	18" 3/8" IPS Stem Gloss White (5/8" OD) (Must be ordered w/ DHL-LP-CENTER BOX)
S24 (Part#290182 & C545Wht)	24" -3/8 IPS Stem Gloss White (5/8" OD) (Must be ordered w/ DHL-LP-CENTER BOX)
S36 (Part#290137 & C545Wht)	36" 3/8" IPS Stem Gloss White (5/8" OD) (Must be ordered w/ DHL-LP-CENTER BOX)
S48 (Part#290126 & C545Wht)	48" 3/8" IPS Stem Gloss White (5/8" OD) (Must be ordered w/ DHL-LP-CENTER BOX)
CM2PK	2 pk Cable Hanger Kit - comes with (2) 10' cables with toggles and looping grippers
CM2PK-15	2 pk Cable Hanger Kit - comes with (2) 15' cables with toggles and looping grippers

Wire Guard

