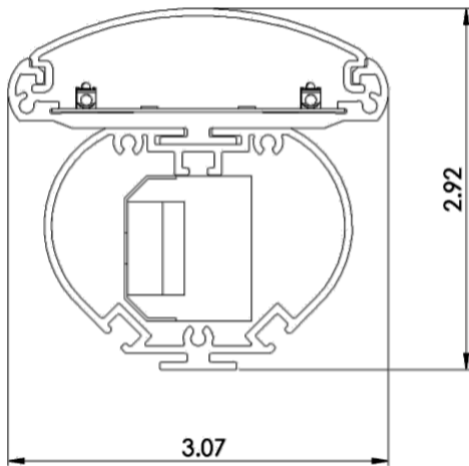
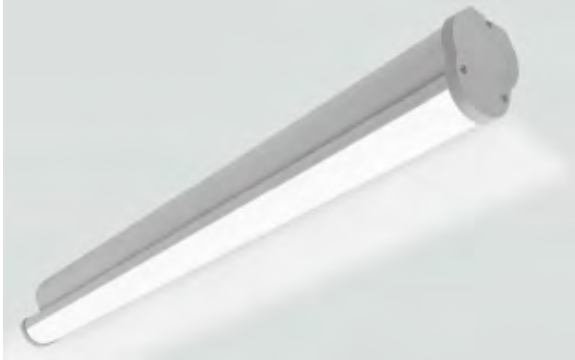


BLSF

BriteCor Linear Strip Fixture



The LiteSheet BriteCor Linear Strip Fixture (BLSF) provides a complete solution for an AC Direct LED light engine. The luminaire is easy to install and is available in 4' and 8' as an individual fixture or as a companion product to the BriteCor Linear Strip Link series (BLSL). A variety of fixture and mounting options are available to accommodate any customer configuration.

Specifications and Features:

Housing:

Nominal 3" x 3" dual housings of extruded 6063 T5 Aluminum

Listing & Ratings:

ETL: Listed for Damp Locations, UL 1598, 8750

Finish:

Clear Anodize, Black Anodize, Custom Colors Available Upon Request.

Mounting Options:

Pendant Mount (PM), Surface Mount (SM), Rotational Mount (RM)

BriteCor Light Engine:

AC Direct Technology - No DC Power Supply

L70 Projection: >200,000 hours

Lowest total cost of ownership in the market. For TCO examples visit: <https://www.litesheet.com/total-cost-of-ownership>

Wattage:

40W (4' Fixture) 80W (8' Fixture)

Voltage Options:

120VAC or 277VAC, 60Hz

Warranty:

15-Year Warranty for -40°C to +50°C Environment.

Fixture Dimensions

| MODEL | NOMINAL LENGTH | LUMINAIRE LENGTH | RACEWAY LENGTH | WEIGHT |
|--------|----------------|--------------------|--------------------|-------------------------|
| BLSF-4 | 4ft. | 48.0" (1,219mm) | 45.6" (1,158mm) | 8 lbs. max (3.6 kg) |
| BLSF-8 | 8ft. | 91.6" (2,327mm) | 83.5" (2,121mm) | 16 lbs. max (6.4 kg) |

Order Information Example: BLSF-4-40-2-5080-CA-PM/OS

| Model | Size | Wattage | Voltage | CCT/CRI | Fixture Color | Mounting | Options |
|--|--|--------------------------|------------------|--|---|---|--|
| BLSF BLSF= BriteCor Linear Strip Fixture | 4 4=4' Fixture 8=8' Fixture | 40=4800 lm 80=9600 lm | 1=120V 2=277V | 3580=3500K/80CRI 4080=4000K/80CRI 5080=5000K/80CRI | CA=Clear Anodize BA=Black Anodize C=Custom (Consult Factory) | PM=Pendant Mount SM=Surface Mount RM=Rotational Mount | CFT=Conduit Feed Through D= Extra Diffuser OS=Occupancy Sensor |

Project Information:

Project Name: _____ Fixture Type: _____

Complete Catalog #: _____ Date: _____

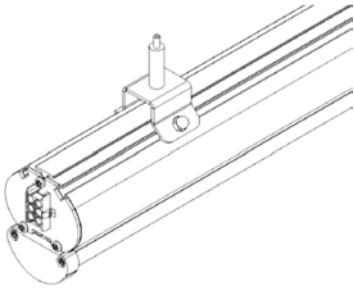
Comments: _____

Certification & Listings:

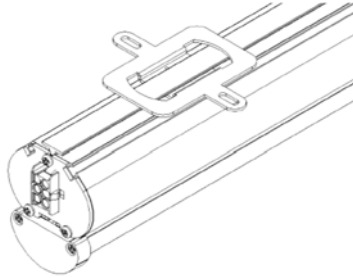


Specifications subject to change without notice.

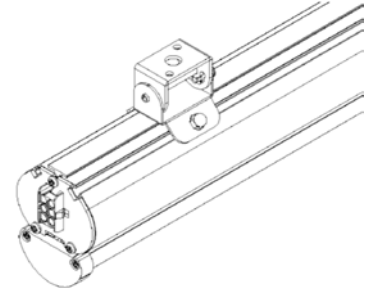
Mounting Options:



BLSF Shown with Pendant Mount Bracket



BLSF Shown with Surface Mount Bracket



BLSF Shown with Rotational Mount Bracket

Surface Mount Options:

When fixtures are ordered with the **SM**=Surface Mount option, the fixture will be manufactured with an end plate that has an opening for a 1/2" connector on the feed end, and a full end cap on the other end.



If the **CFT**=Conduit Feed (Through) is specified, the fixture will be manufactured with an additional end plate that has an opening for a 1/2" connector on the opposite end of the fixture. Thru wires will be provided from one end of the fixture to the other. Conduit can then be run to another fixture.



Example



PLEASE NOTE: The **CFT**=Conduit Feed (Through) option should **not** be used to link fixtures together in continuous lengths over 4' or 8'. For that application, the BriteCor Linear Strip Link (BLSL) series should be used.

NOTE: Actual performance may differ as a result of end-user environment and application. All values are design or typical values, measured under laboratory conditions. Specifications subject to change without notice. Production parts may vary based on configuration and availability. Options: Lead times will vary based on options and product configuration. Consult with your sales representative.