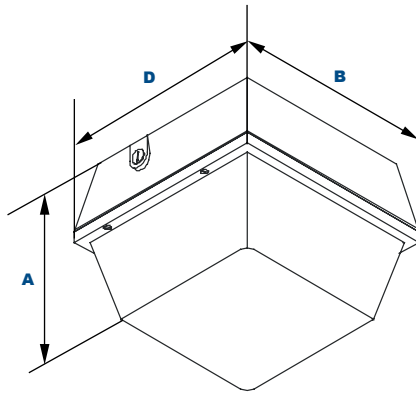


## BCF Large Canopy



### Dimensions

<b>Width (D)</b>	12 $\frac{3}{8}$ " (314mm)
<b>Length (B)</b>	12 $\frac{3}{8}$ " (314mm)
<b>Height (A)</b>	8 $\frac{5}{8}$ " (219mm)



The LiteSheet BCF Large Canopy luminaire is available for surface or pendant mounting configurations with an optical distribution designed specifically to replace HID lighting systems up to 175w MH or HPS. Typical lighting applications include retail centers, industrial parks, schools and universities, public transit and airports, office buildings and medical facilities. Mounting heights of 12 to 20 feet can be used based on light level and uniformity requirements.

### Specifications and Features:

#### Housing:

Die Cast Aluminum Housing,  $\frac{1}{2}$ " Coin Plugs with O-rings for Conduit & Photocell on Two Sides & Back, Nickel-Plated Stainless Steel Hardware.

#### Finish:

Textured Architectural Powdercoat Finish Over a Chromate Conversion Coating. Custom Colors Available Upon Request.

#### Lens:

Standard Clear Polycarbonate Prismatic Lens

#### Mounting Options:

Mount Directly Over a 4" Recessed Outlet Box, or Use  $\frac{1}{2}$ " Surface Conduit or Quick-Mount Bracket.

#### Wattage:

System: 48W  
(175w HID Equivalent)

#### Light Engine:

BriteCor AC Direct Technology (No DC Power Supply), 120VAC or 277VAC, 60Hz

L70 Projection: >200,000 hours

Lowest total cost of ownership in the market: For TCO examples visit: <https://www.litesheet.com/total-cost-of-ownership>

#### Listing & Ratings:

ETL: Listed for Wet Locations.  
Operating Temperatures: -40°C to +50°C  
IP65 Sealed LED Compartment.

15-Year Warranty

### Order Information Example:

**BCF-12-48-1D-4080**

BCF	12	48		
Model	Size	Wattage	Voltage	CCT/CRI
BCF= LiteSheet Large Canopy	12=12" sq	48=48w	1D=120V 2D=277V	4080=4000K 5080=5000K 80, CRI

### Photometric Performance

Size	Wattage	Initial Lumens (lm)	Delivered Efficacy (lm/W)	BUG
12	48	5616	117	2 3 2

NOTE: Actual performance may differ as a result of end-user environment and application. All values are design or typical values, measured under laboratory conditions. Specifications subject to change without notice. Production parts may vary based on configuration and availability. Options: Lead times will vary based on options and product configuration. Consult with your sales representative.

### Accessories & Replacement Parts:



PC1 & PC2



VNQM

VNQM	Hinged Quick-Mount Bracket, Stamped Steel, Mount Over Recessed Electrical Box, or Use $\frac{3}{4}$ " NPS Downrod for Pendant Mounting. CSA Listed for Damp Location Mounting.
PC1	120VAC, Photocell
PC2	250-305VAC, Photocell



Project Name: \_\_\_\_\_

Catalog Number: \_\_\_\_\_

Fixture Type: \_\_\_\_\_

