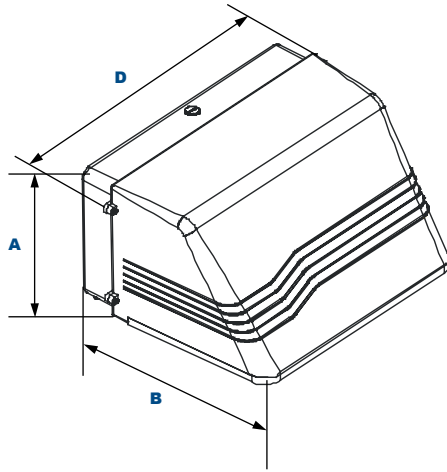


BCO

BriteCor Full Cutoff Wall Pack Series



Dimensions

Width (D)	18 1/4" (464mm)
Length (B)	13 3/4" (349mm)
Height (A)	9 1/2" (232mm)
Weight	15 lbs

The BCO full cutoff wall pack luminaire is designed to replace HID lighting systems up to 175W MH or HPS. Typical wall mounted lighting applications include retail centers, industrial parks, schools and universities, public transit and airports, office buildings and medical facilities. Mounting heights of 18 to 30 feet can be used based on light level and uniformity requirements.

Specifications and Features:

Housing:

Die Cast Hinged and Gasketed Aluminum Front Frame and Housing with 1/2" Coin Plugs. Nickel-Plated Stainless Steel Hardware. Photocell Adaptable.

Finish:

Textured Architectural Bronze Powdercoat Finish Over a Chromate Conversion Coating. Custom Colors Available Upon Request.

Lens:

Tempered Clear Flat Prismatic Glass Lens.

Mounting Options:

Cast-in Template for Mounting Directly Over a 4" Recessed Outlet Box, or Use 1/2" Surface Conduit.

Wattage:

System: 48w

Light Engine:

AC Direct Technology (No DC Power Supply): 120VAC or 277VAC, 60Hz

L70 Projection: >200,000 hours

Lowest total cost of ownership in the market. For TCO examples visit: <https://www.litesheet.com/total-cost-of-ownership>

Listing & Ratings:

Intertek/ETL: Listed for Wet Locations.
Operating Temperatures: -40°C to +50°C
IP55

15-Year Warranty.

NOTE: Actual performance may differ as a result of end-user environment and application. All values are design or typical values, measured under laboratory conditions. Specifications subject to change without notice. Production parts may vary based on configuration and availability. Options: Lead times will vary based on options and product configuration. Consult with your sales representative.

Order Information Example:

BCO-18-48-1D-5080-Z

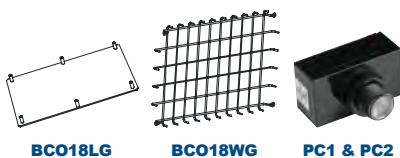
BCO-18	48			
Model	Wattage	Voltage (V)	CCT/CRI	Finish (F)
BCO-18= BriteCor Full Cutoff Wall Pack	48=48w	1D=120VAC 2D=277VAC	4080=4000K 5080=5000K CRI=80	Z=Bronze C=Custom (Consult Factory)



Photometric Performance

Size	Wattage	Initial Lumens (lm)	Delivered Efficacy (lm/W)	BUG
18	48	5376	112	2 0 0

Accessories & Replacement Parts:



Accessories (Order separately, Field installed)

BCO18LG	Clear Polycarbonate Vandal Resistant Guard, Includes Hardware.
BCO18WG	Wire Guard, Stainless Steel Construction, Includes Hardware.

Replacement Parts (Order separately, Field installed)

PC1	120VAC, Photocell
PC2	250-305VAC, Photocell

Project Name:

Catalog Number:

Fixture Type:

