

Stik Series

BRITECOR™ TECHNOLOGY

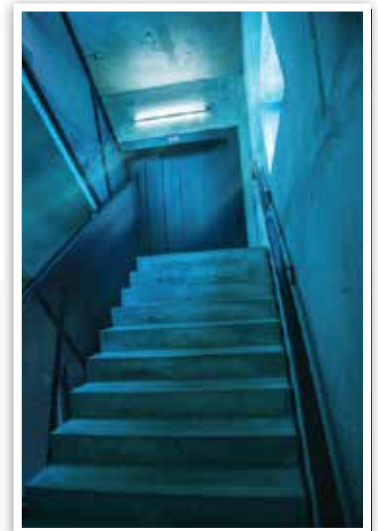
BSS

AC DIRECT LED
NO POWER SUPPLY NEEDED



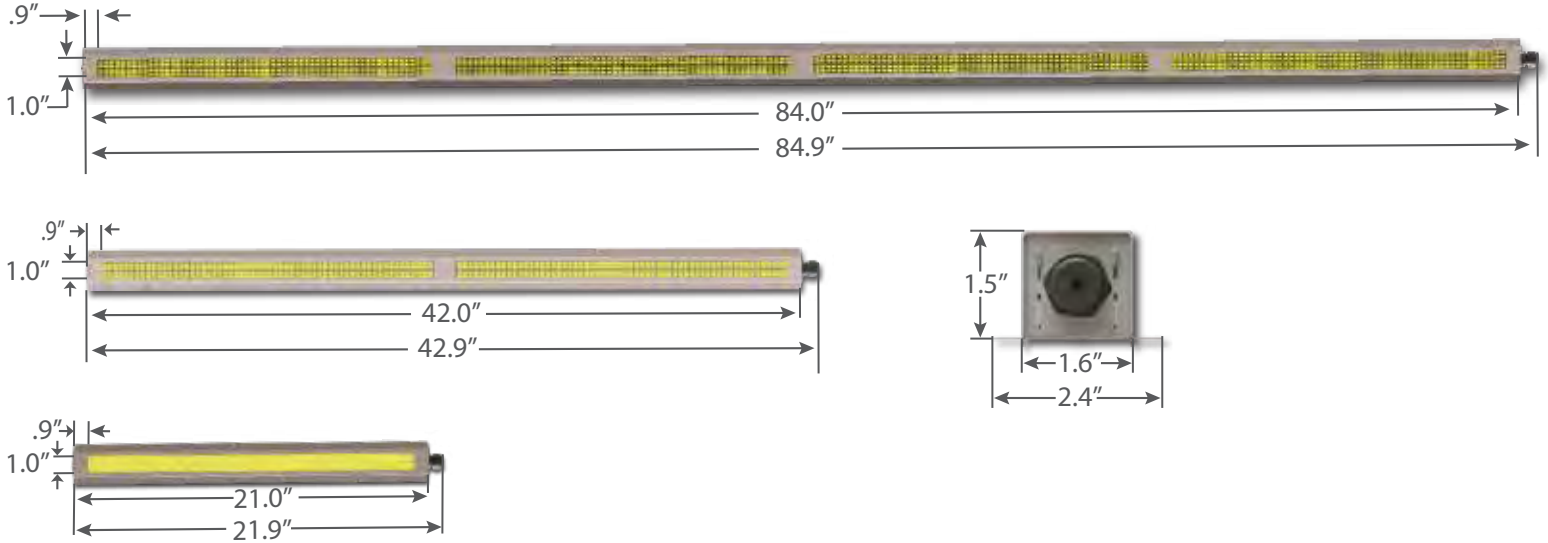
PRODUCT DESCRIPTION :

- BriteCor AC Direct Technology – No DC power supply
- Efficacy up to 131 lumens per Watt
- Easily mountable
- Maintenance-free
- Low total cost of ownership
- Tested to UL dry location standards
- L70 Projection: >200,000 hours
- Lowest total cost of ownership in the market. For TCO examples visit: <https://www.litesheet.com/total-cost-of-ownership>



THE BRITECOR™ LIGHT ENGINE TECHNOLOGY

The BriteCor™ Light Engine is a patented Adaptive AC Direct LED Array Technology. Automatically adjusting the redundant LED mesh, BriteCor™ delivers a more efficient and reliable light without a DC power supply. Operating temperature from -40C to 40C.



Size	Wattage	Initial Lumens (lm)
21in	20W	2620lm
42in	40W	5240lm
84in	80W	10480lm

NOTE: Actual performance may differ as a result of end-user environment and application. All values are design or typical values, measured under laboratory conditions. Specifications subject to change without notice. Production parts may vary based on configuration and availability.

Options: Lead times will vary based on options and product configuration. Consult with your sales representative.



ORDERING INFORMATION

BSS	Length	Wattage	Voltage(V)	Color Temp/CRI(CT80)	Cable(C)	Options
121	21 in	POWER (W) 21in - 20 20W 42in - 40 40W 84in - 80 80W	VOLTAGE 1 = 120VAC 2 = 277VAC	COLOR/CRI First 2 -color 30 = 3000K LAST 2- CRI 80 = 80 35 = 3500K 40 = 4000K 50 = 5000K 57 = 5700K	A1 Straight Metal Clad Whip A2 Right Angle Metal Clad Whip J1 Jacketed Cable with pigtail J2 Jacketed Cable with plug	Diffuser (Blank) None D Diffuser
142	42 in					Cable Length (Blank) 6' Standard CXX Total length in feet
184	84 in					Housing Color (F) (Blank) White B Black S Silver

EXAMPLE: BSS-84-80-1-5080-J1/D C10 B