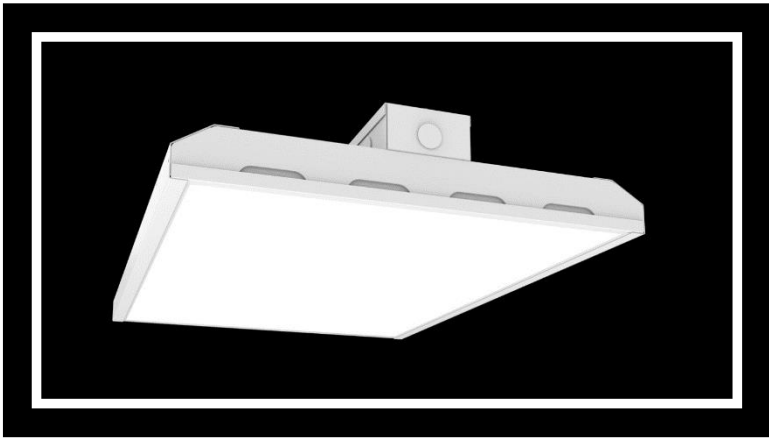


BFHB G3 BriteCor AC Direct Flat High Bay Installation Manual



NOTES

- **WARNING** – Risk of fire or electric shock.
- **WARNING** - It is recommended that installation be performed by a certified electrician.
- All electrical connections must be in compliance with local codes, ordinances or the national electrical code (NEC). Contact your municipal building department to learn about your local codes, permits and/or inspections.
- Do not connect this Luminaire to an electrical system that does not provide means for equipment grounding. Never use a fixture in a two-wire system that is not grounded.
- If dimming functionality is included, use only with Litesheet approved dimmers.
- Do not use excessive force when manipulating cables and wires.
- **WARNING** – To prevent wiring damage or abrasion, do not pinch wires between surfaces.
- **WARNING** – Only connect Luminaire to the voltage indicated by the Luminaire label. It is intended for direct connection to this voltage. **DO NOT** connect to a different or unknown voltage.

Document #: 11-00052	Rev: -	Date: 5/10/2022
----------------------	--------	-----------------

LiteSheet Solutions

CONTENTS OF KIT

- BFHB G3 Flat High Bay Luminaire

TOOLS AND ADDITIONAL PARTS REQUIRED

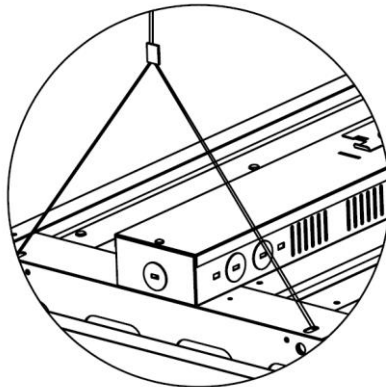
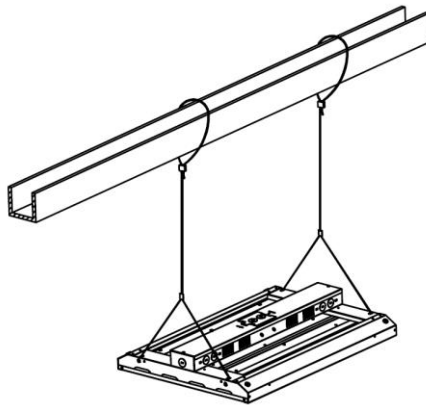
- Drill
- Mounting Hardware (Sold Separately)

Preparation

1. Turn off power to the circuit.
2. Remove fixture and mounting hardware from packaging.

Cable Kit Installation

1. Attach aircraft cable to the structural support. Adjust to the desired height.
2. Attach the luminaire to the aircraft cables through the holes shown. Adjust each cable until luminaire is level.

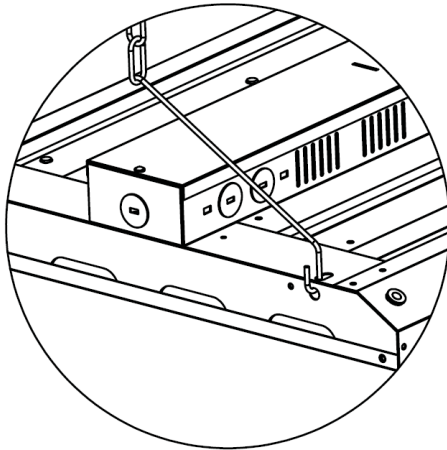
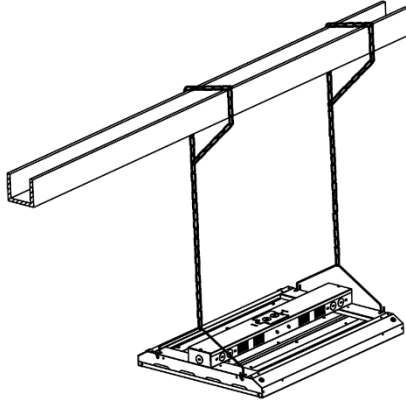


3. Wire the fixture following NEC standards.

LiteSheet Solutions

Chain Kit Installation

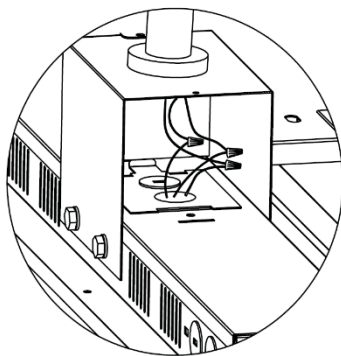
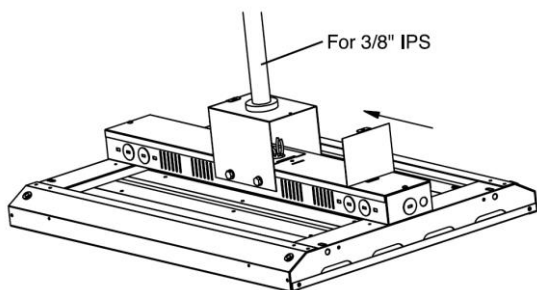
1. Attach chains to the structural support. Adjust to the desired height. Attach the hooks to the chains.
2. Attach the luminaire to the hooks in the holes shown. Adjust the chains to level the luminaire.



3. Wire the fixture following NEC standards.

Stem Mount Installation

1. Install cross bracket onto pre-installed J-box. Attach wires to existing wiring using NEC approved methods, and feed through 3/8" IPS stem.
2. Install stem into cross bracket.
3. Remove cover on fixture box. Make electrical connections from the stem to the fixture wiring following NEC standards.



4. Reattach box cover.

LiteSheet Solutions

**For warranty information and
technical support, contact us at:**

434-446-1460

Find more great products at:

www.litesheet.com