



LITESHEET
BRILLIANCE THROUGH SIMPLICITY

BTRK BriteCor AC Direct Retrofit Installation Manual



Proudly Made in the USA
of US and imported parts



BRITECOR
AC DIRECT TECHNOLOGY

BTRK BriteCor Retrofit Kit Installation Manual

NOTES

- WARNING – Risk of fire or electric shock.
- WARNING - It is recommended that installation be performed by a certified electrician.
- All electrical connections must be in compliance with local codes, ordinances or the national electrical code (NEC). Contact your municipal building department to learn about your local codes, permits and/or inspections.
- Do not connect this Luminaire to an electrical system that does not provide means for equipment grounding. Never use a fixture in a two-wire system that is not grounded.
- If dimming functionality is included, use only with Litesheet approved dimmers.
- This unit is not approved for use in ducted ceilings.
- Do not use excessive force when manipulating cables and wires.
- WARNING – To prevent wiring damage or abrasion, do not pinch wires between surfaces.
- WARNING – If Luminaire is rated for retrofitting, do not connect Luminaire kit to the lamp ballast or the lamp holders.
- WARNING – Only connect Luminaire to the voltage indicated by the Luminaire label. It is intended for direct connection to this voltage. DO NOT connect to a different or unknown voltage.

Document #: 11-00021	Rev: C	Date: 4/20/2022
----------------------	--------	-----------------

LiteSheet Solutions

CONTENTS OF KIT

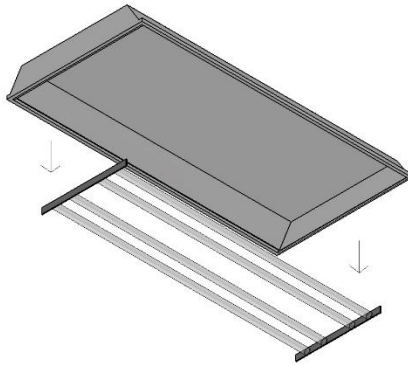
- BTRK / BTRKG3 retrofit luminaire
- (4) #8 Tek screws

TOOLS AND ADDITIONAL PARTS REQUIRED

- Philips head screwdriver

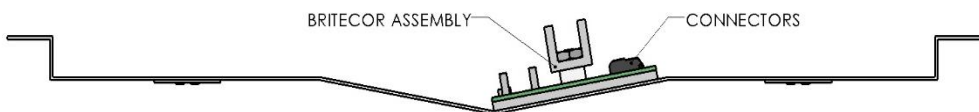
Preparation

1. Turn off power source.
2. Remove existing hardware of any ballast covers, socket bars, lamps, ballasts and sockets so that only the pan remains. Let the existing ground and power wires hang.
 - a. *Dispose of lamps and ballasts as recommended by the manufacturer.*

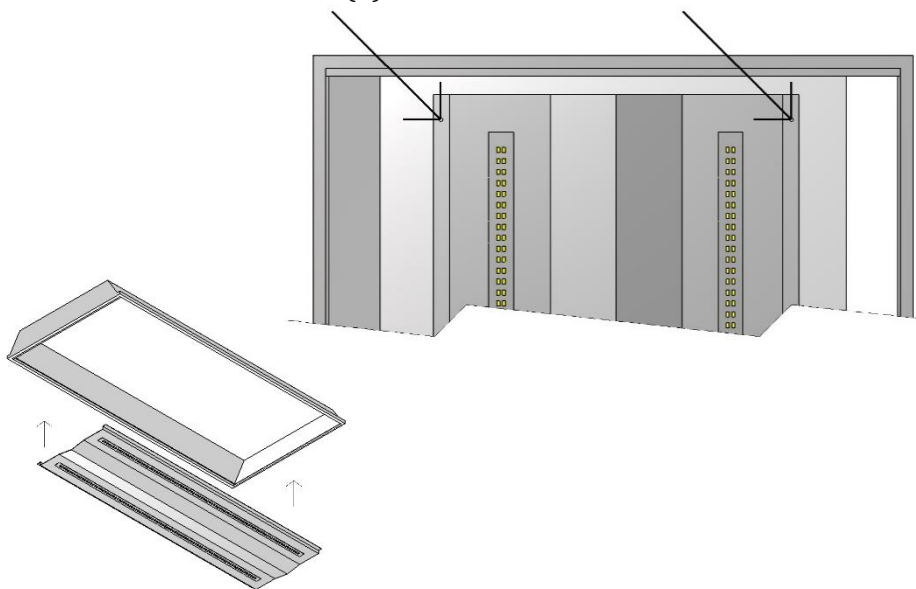


Installation

1. While supporting the retrofit kit, wire it to the existing power lines.



2. Using the holes as shown in drawing, secure the retrofit kit to the existing pan with (4) #8 tek screws.



3. Reinstall lens (if applicable.) Turn on power to the luminaire.